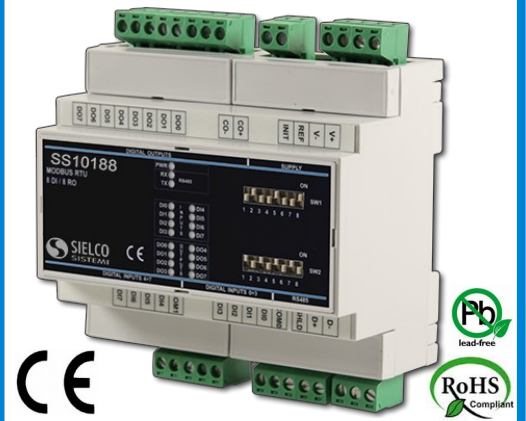




SIELCO SISTEMI srl
 via Roma, 24 - 22070 Guanzate (CO) – Italy
 Tel: +39 031899671 – Fax: +39 031976966
 e-mail: info@sielcosistemi.com
 website: <http://www.sielcosistemi.com>

Distributed I/O device in 6 DIN module box
8 digital inputs and 8 digital outputs type PNP
transistor over RS-485
SS 10188



FEATURES

- Modbus Slave device on RS-485
- Modbus RTU/ Modbus ASCII protocol
- 8 digital inputs and 8 digital outputs type PNP transistor
- Communication parameters configurable by dip-switches
- Watch-Dog Alarm
- Remotely Configurable
- 1500 Vac 3-ways Galvanic Isolation
- LEDs of signalling on front side for power supply and communication
- LEDs of signalling on front side for digital inputs and outputs state
- Connection by removable screw terminals
- High Accuracy
- CE mark
- DIN rail mounting in compliance with EN-50022

GENERAL DESCRIPTION

The device SS10188 is able to acquire up to 8 digital inputs with connection NPN or PNP and to drive up to 8 digital outputs type PNP transistor. The data are transmitted with MODBUS RTU/ASCII protocol over the RS-485 network.

To ensure the plant safety, a Watch-Dog timer alarm is provided.

The isolation between the parts of circuit removes eventual ground-loop effects, allowing the use of the device even in the heavy environmental conditions.

The device is housed in a 6 module DIN rough self-extinguishing plastic box for mounting on EN-50022 standard DIN rail.

COMMUNICATION PROTOCOLS

The device is designed to work with the MODBUS RTU/ASCII protocol: standard protocol in field-bus; allows to directly interface SS10000 series devices to the larger part of PLCs and SCADA applications available on the market.

USER INSTRUCTIONS

Before to install the device, please read the "Installation Instruction" section.

It is possible to configure the device in two modes: by the dip-switches located on the front of the device or via software using the INIT modality.

Connect the terminal INIT to the terminal REF; at the power-on the device will be automatically set in the configuration set-up.

Connect power supply, serial bus, digital inputs and outputs as shown in the "Wiring" section.

The LEDs state depends on the working condition of the device: see the "Light Signalling" section to verify the device working state.

To simplify handling or replacing of the device, it is possible to remove the wired terminals even with the device powered.

TECHNICAL SPECIFICATIONS (Typical @ 25 °C and in the nominal conditions)

INPUT		OUTPUT		POWER SUPPLY	
Channels	8	Channels	8	Power supply voltage	10 .. 30 Vdc
Voltage input (bipolar)		Type	PNP	Reverse polarity protection	60 Vdc max
OFF State	0 ÷ 3 V	Voltage	10.5÷30 Vdc	Current consumption (operative)	50 mA max@24Vdc 110 mA max@10Vdc
ON State	10 ÷ 30 V	Maximum load(*)	500 mA per channel 1 A per module	ISOLATION	Between all the ways 1500 Vac, 50 Hz, 1 min
Impedance	4.7 KΩ	Inductive load	48 Ω – 2H max	ENVIRONMENTAL CONDITIONS	Operative Temperature -10°C .. +60°C Storage Temperature -40°C.. +85°C Humidity (not condensed) 0 .. 90 % Maximum Altitude 2000 m Installation Indoor Category of installation II Pollution Degree 2
Sample time	5 ms	(*) Protection against over-current and temperature Short-circuit current 1.7 A		MECHANICAL SPECIFICATIONS	Material Self-extinguish plastic IP Code IP20 Wiring wires with diameter 0.8÷2.1 mm ² /AWG 14-18 Tightening Torque 0.5 N m Mounting in compliance to DIN rail standard EN-50022 Weight about 200 g.
		Data Transmission (RS-485 asynchronous serial)		CERTIFICATIONS	EMC (for industrial environments) Immunity EN 61000-6-2 Emission EN 61000-6-4
		Baud Rate	115.2 Kbps		
		Max. distance	1.2 Km – 4000 ft		

INSTALLATION INSTRUCTIONS

The SS10188 is suitable for fitting to DIN rails in the vertical position.

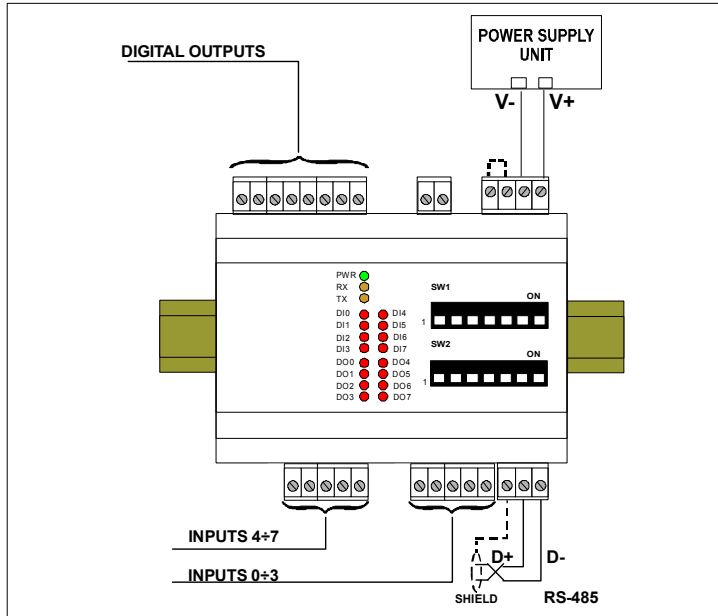
For optimum operation and long life follow these instructions:

When the devices are installed side by side it may be necessary to separate them by at least 5 mm in the following case:

- If panel temperature exceeds 45°C and power supply voltage 10 Vdc. Make sure that sufficient air flow is provided for the device avoiding to place raceways or other objects which could obstruct the ventilation slits. Moreover it is suggested to avoid that devices are mounted above appliances generating heat; their ideal place should be in the lower part of the panel. Install the device in a place without vibrations.

Moreover it is suggested to avoid routing conductors near power signal cables (motors, induction ovens, inverters etc...) and to use shielded cable for connecting signals.

WIRING



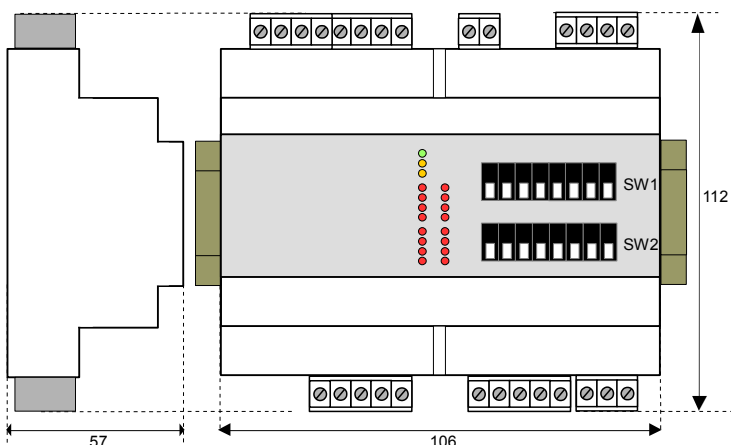
LIGHT SIGNALLING

LED	COLOUR	STATE	DESCRIPTION
PWR	GREEN	ON	Device powered
		OFF	Device not powered
		BLINK	~1 sec. - Watch-Dog alarm condition occurred
RX	ORANGE	BLINK	Stream of data over receiving line of RS-485
		OFF	No data over receiving line of RS-485
TX	ORANGE	BLINK	Stream of data over transmission line of RS-485
		OFF	No data over transmission line of RS-485
DI _n	RED	ON	Digital input ON state
		OFF	Digital input OFF state
DO _n	RED	ON	Digital output ON state
		OFF	Digital output OFF state

ISOLATION STRUCTURE

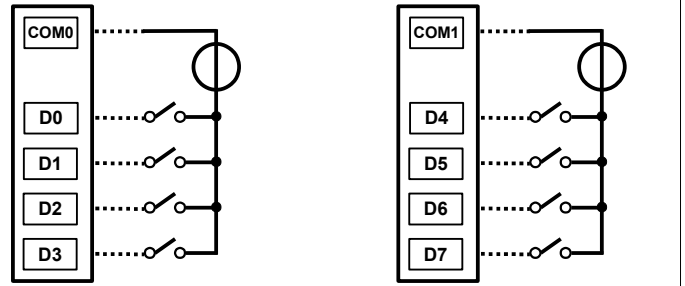


MECHANICAL DIMENSIONS (mm)



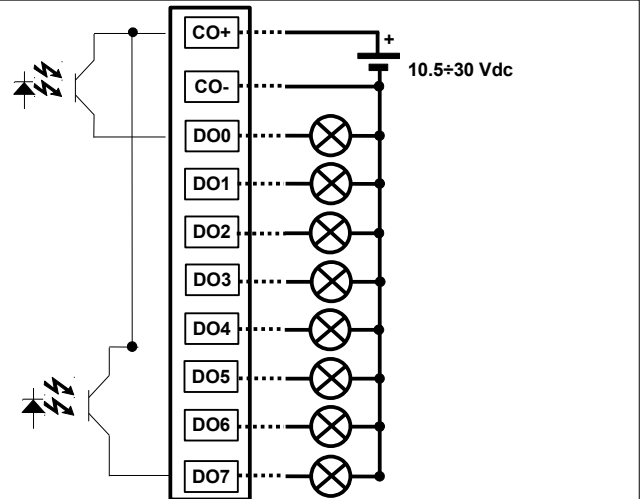
CONNECTIONS

DIGITAL INPUTS



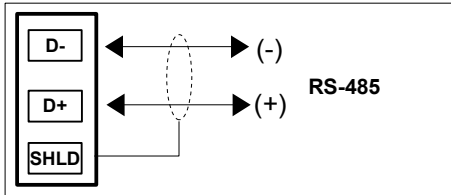
NOTE: the channels DO+D3 and D4+D7 are not isolated between them.
NOTE: the groups DO+D3 and D4+D7 are isolated between them.

DIGITAL OUTPUTS

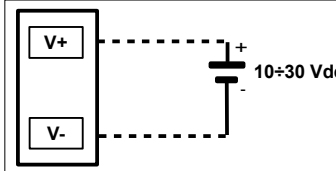


NOTE: the output channels are not isolated between them.

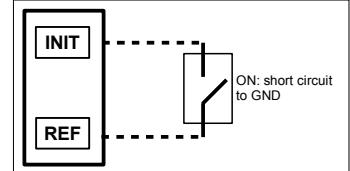
SERIAL LINE RS-485



POWER SUPPLY



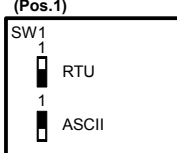
INIT



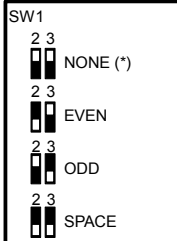
DIP-SWITCHES : TABLES OF CONFIGURATION

Warning: set all the dip-switches in OFF position to access to the device in EEPROM modality (the device will follow all the communication parameters set by software) or INIT. Power-off the device before to change the set of the dip-switches.

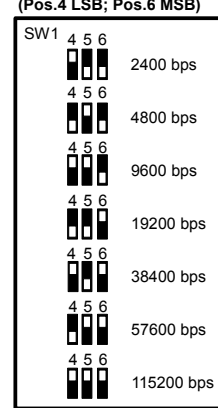
TAB.1 Mode settings (Pos.1)



TAB.2 Parity settings (Pos.2 LSB; Pos.3 MSB)



TAB.3 Baud rate settings (Pos.4 LSB; Pos.6 MSB)



DIP POSITION



Note (*):

- in Modbus RTU Mode the setting is NONE; number of bit = 8
- in Modbus ASCII Mode the setting is MARK; number of bit = 7

TAB.4 Address Selection 1+247 (Pos.1 LSB; Pos.8 MSB)



HOW TO ORDER

SS 10188